

120 GTA/GTAC

Three-Phase



General data

| | | | |
|------------------------|-----------------|------------------|-----------|
| Maximum power*: | 96 kW (120 kVA) | Voltage: | 480/277 V |
| Prime Power**: | 87,3 kW | Amperage: | 144,3 A |
| Frequency: | 60 Hz | Phases: | 3 |

Dimensions and weights

| | | | |
|-------------------------------------|---------|----------------------------------|---------|
| Total length without canopy: | 1760 mm | Total length with canopy: | 2007 mm |
| Total width without canopy: | 865 mm | Total width with canopy: | 865 mm |
| Total height without canopy: | 1011 mm | Total height with canopy: | 1048 mm |
| Dry weight without canopy: | 1010 Kg | Dry weight with canopy: | 1117 Kg |

Engine

| | | | |
|----------------------------------|---------------------------|------------------------------|-------------------------------|
| Base engine manufacturer: | Deutz | Diameter: | 108 mm (4,25 in) |
| Model Solé Diesel: | SDZ-165 | Stroke: | 130 mm (5,12 in) |
| Type: | 4 No. of Strokes | Compression ratio: | 19:1 |
| Engine RPM: | 1800 | Injection system: | Mechanical and direct |
| Number of cylinders: | 4 | Intake system: | Turbocharged with intercooler |
| Total displacement: | 4764 cc | SAE Flywheel housing: | SAE 2 |
| Oil: | SAE 15W40 | Coolant capacity: | 17,5 L (4,62 gal) |
| Oil capacity: | 11 L (2,91 gal) | Flywheel: | SAE 11 1/2 |
| Power: | 105 kW (142,8 CV) | Coolant flow rate: | 162,1 l/min (42,82 gal/m) |
| Salt water flow rate: | 130,4 l/min (34,45 gal/m) | Intake air flow rate: | 7,8 m3/m |
| Exhaust type: | Wet exhaust elbow | Belt protection: | Optional |

Rating conditions according to ISO 3046 (100 kPa barometric pressure, 30 % relative humidity and 25 °C (77 ° F))

* Maximum output power: maximum power supplied by the genset at full load

** Prime Power: rated power according to ISO 3046 and ISO 8528-1. 10 % overload capacity one hour in twelve hours.

1 kW \cong 1,36 CV 1 kW \cong 1,36 HP (metric) 1 kW \cong 1,36 CH

Fuel system details

| | | | |
|--------------------------|-----------------------|-----------------------------|---------------------|
| Consumption 25%: | 8,3 L/H (2,19 Gal/H) | Fuel type: | Diesel |
| Consumption 50%: | 14,5 L/H (3,83 Gal/H) | Fuel standards: | Fueloil diesel ASTM |
| Consumption 75%: | 21,1 L/H (5,57 Gal/H) | Injection pump type: | Individual |
| Consumption 100%: | 28 L/H (7,4 Gal/H) | Governor type: | Mechanical |

Electrical system

| | | | |
|-----------------------------|----------|------------------------------|----------|
| Battery voltage: | 24 V | Stop solenoid type: | ETS |
| Starter motor: | 4 kW | Alternator: | 35 A |
| Earth isolated: | Optional | IP 65 box kit: | Optional |
| SCO 11 double panel: | Optional | Current transformers: | Optional |

Installation details

| | | | |
|--|-----------------|---------------------------------------|-----------------|
| Exhaust hose inner diameter: | 90 mm (3,54 in) | Maximum fuel lift height: | 1,3 m (4,27 ft) |
| Sea water hose inner diameter: | 42 mm (1,65 in) | Maximum raw water lift height: | 4 m (157,48 in) |
| Fuel feeding hose inner diameter: | 12 mm (0,47 in) | Maximum sea water temperature: | 32 °C (89,6 °F) |
| Fuel return hose inner diameter: | 12 mm (0,47 in) | Maximum installation angle***: | 10 ° |
| Minimum battery capacity: | 24 V 143 Ah | | |

Alternator details

| | | | |
|-------------------------|--------------|---------------------------------------|------------------------|
| Brand: | Meccalte | Cos φ: | 0,8 |
| Model: | ECP34 1M 4 C | Tropicalized: | Yes |
| Regulator type: | DSR | Excitation system: | BRUSHLESS |
| Number of poles: | 4 | Voltage regulation accuracy**: | 0,01 |
| Isolation type*: | H | Standards: | EN60034-1, IEC 60034-1 |
| IP protection*: | 23 | Alternator type: | Synchronous |

Standard equipment

| | |
|---------------------------------|-------------------------------|
| 4 m electrical wiring extension | SCO 11 control panel |
| Oil extraction pump | Owner's and alternator manual |
| Rigid bed | Packaging |
| Silentblocks | |

Optional accessories

| | |
|--|---|
| Siphon break kit mandatory if generator is below waterline | Keel Cooling conversion for dry and wet exhaust |
| Service/Cruise Kits: fuel and oil filters, raw water pump, impeller, alternator belt,... | Double walled pipes and alarm kit |
| Dry Exhaust system | Low coolant level shut down switch |
| Wet Exhaust System | Fuel filter/water separator |
| Water Filters | Gas/Water Separator |
| Sea water cock | Fuel Hose |
| Welcome Kit | Exhaust Hose |
| Kit Power Take-off | Raw water hose |

* Other protections available

** With load from 0 to 100%, speed variation from -2% up to +5%, power factor 0,8 linear and balanced load.

*** In all directions

For other requirements please contact the Sales Dept.



SCO 11 Panel



General Description

- Graphic LCD with light, 128 x 64 pixels display
- Genset measures (see Display Information)
- Configuration protected by user and password
- Running hour indication
- Multilengüaje
- Event history log
- Genset protections (see Alarm Management)
- Preheating function
- D+ pre-excitation Terminal
- CAN bus information with SAE J1939 protocol
- Maintenance hours control
- Dimensions 195 x 135 x 47 mm
- Board Cutting 172 x 112 mm
- Weight 450 g

Alarm Management

Shut Downs (SD)

- High coolant temperature
- Low oil pressure
- Overspeed
- Overload*
- Short circuit*
- Overcurrent*
- Over/Under voltage
- Over/Under frequency
- Emergency stop

Warnings (WRN)

- High coolant temperature
- Low oil pressure
- Over/Under Battery voltage
- Maintenance request
- Sensor failure detection (FLS)

Operating modes

- OFF Mode
- MAN Mode (manual start/stop engine)
- AUT Mode (auto start/stop engine)



Power Supply

- Voltage supply 12/24 DC with fuse protection
- Consumption 80mA (12V) or 51 (24V)

Operating Conditions

- Operating temperature -20+70 °C
- Humidity 95 % without condensation
- Front Panel Protection IP65

Standard Conformity

- EN 61000-6-2, EN 61000-6-4, EN 61010-1
- EN 60068-2-6 (2÷25 Hz / ±1,6 mm; 25÷100 Hz / 4.0 g)
- EN 60068-2-30:2005 25/55 °C, RH 95%, 48hours
- EN 60529 (front panel IP65, back side IP20)

Display Information

Measurement

- L1-L3 Voltage (V), Frequency (Hz), Oil Pressure (bar)
- Coolant Temperature (°C), Battery voltage (V), RPM
- Active Power* (kW), Apparent, Power* (kVA), Current* (A), PF*

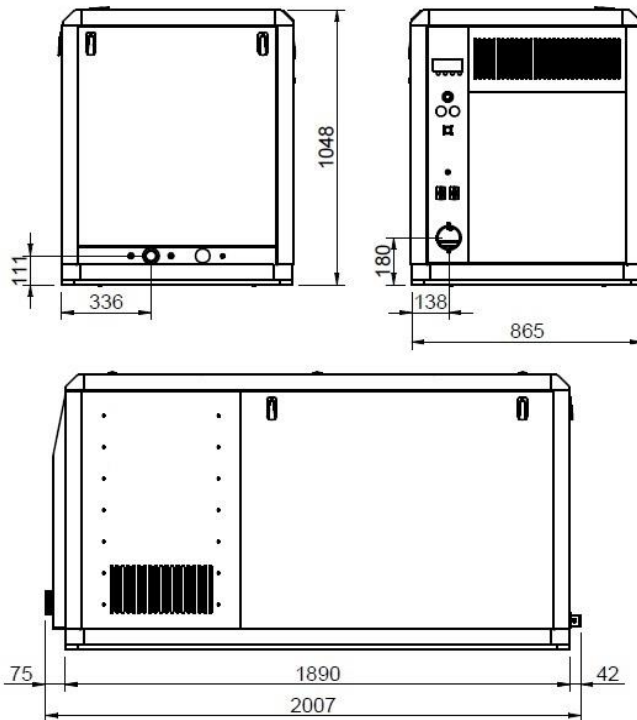
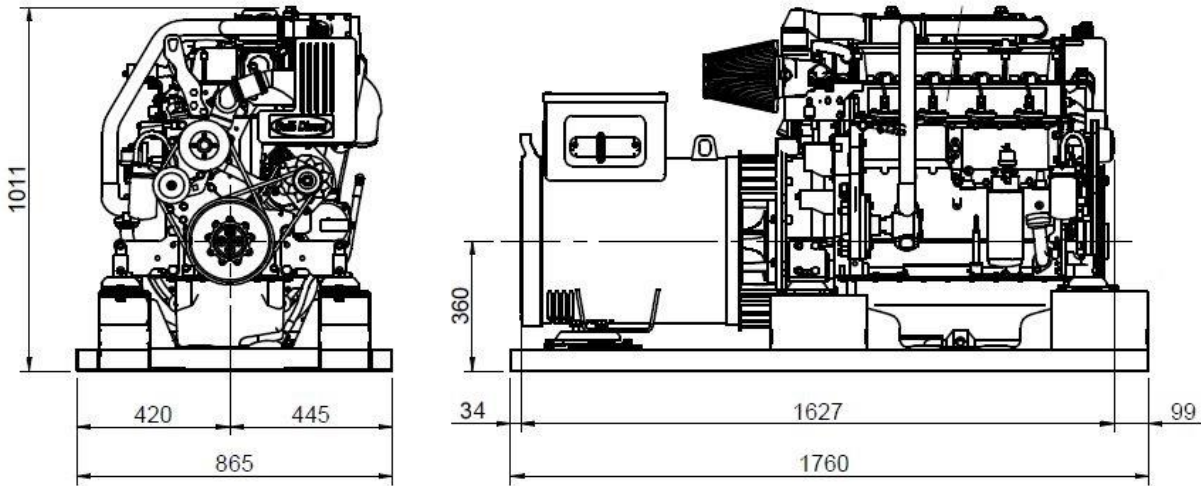
History log

Optional Equipment

- RS232-485 module for double danel
- Binary Inputs/Outputs extension module
- IG-IB Internet connection bridge
- IP65 metallic box protection kit

* The specified function needs the current transformers (Optional Equipment) for showing the information in panel display.

Dimensions



Authorized dealer

www.solediesel.com
info@solediesel.com

Detailed drawings, brochures and manuals are available on the web [solediesel.com](http://www.solediesel.com). All rights reserved. Technical specifications, data and presentation are subjected to variations, changes and updates without prior notice. Non-contractual information.